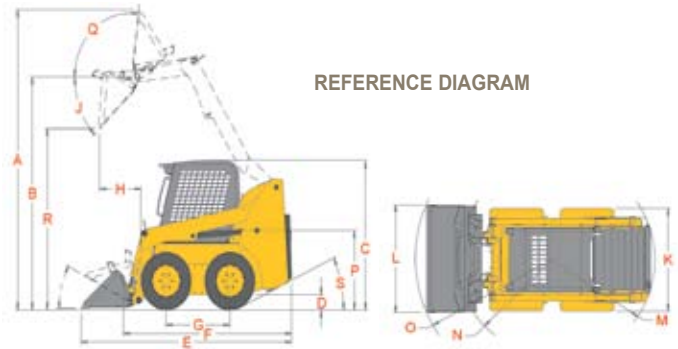


GEHL

5240E
Skid Loader



5240E



DIMENSIONS

A. Overall Operating Height (mm)	153.5" (3899)
B. Height to Hinge Pin (fully raised) (mm)	120.7" (3066)
C. Overall Height (to top of ROPS) (mm)	78.0" (1981)
D. Ground Clearance to Chassis (mm)	6.2" (158)
E. Overall Length w/66" Bucket (mm)	126.3" (3208)
F. Overall Length w/o Bucket (mm)	93.3" (2370)
G. Wheelbase (mm)	41.5" (1054)
H. Dump Reach (at full height) (mm)	25" (635)
I. Bucket Rollback at Ground	27°
J. Bucket Dump Angle	40°
K. Overall Width - Standard (mm)	62" (1575)
Optional Offset Tire/Rim (mm)	59.7" (1516)
L. Bucket Widths (mm)	61.5" - 72" (1562 - 1829)
M. Clearance Circle (rear) (mm)	61.5" (1562)
N. Clearance Circle (front, w/o bucket) (mm)	48" (1219)
O. Clearance Circle (front, w/ bucket) (mm)	76" (1930)
P. Seat to Ground Height (mm)	37.5" (953)
Q. Bucket Rollback at Full Height	96°
R. Dump Height (mm)	89.5" (2273)
S. Departure Angle	23°
Standard Tire Size	10.00 x 16.5 HD
Optional Offset Tire/Rim Size	10.00 x 16.5 HD Narrow Offset Rim

ENGINE

Make/Model	Deutz / TD2009 Series
Type	Water-cooled, Turbo-diesel, Tier III-certified
Net Power (kW) @ rpm (turbocharged)	62 hp (47) @ 2500
Maximum Torque (Nm) @ rpm	148 ft.-lbs. (200) @ 1600

HYDRAULIC SYSTEM

Auxiliary Hydraulics - Standard (L/min)	19 gpm (72)
High-Flow Option (L/min)	30 gpm (114)
Filtration	3 micron
Reservoir Capacity (L)	12 gal. (45)

CAPACITIES/WEIGHTS

Rated Operating Load ⁽¹⁾ (kg)	1,900 lbs. (862)
Tipping Capacity (kg)	3,800 lbs. (1724)
Operating Weight ⁽²⁾ (kg) approx.	6,860 lbs. (3112)

(1) Per SAE J818, SAE J732, and ISO 14397

(2) Unit weight with standard bucket, 175 lb. (79 kg) operator, and full fuel tank.

Gehl reserves the right to add improvements or make changes in specifications at any time without notice or obligation.

SAFETY IS NO ACCIDENT.

Gehl Company reminds users to read and understand the operator's manual before operating any piece of equipment. Additionally, make sure all safety devices and shields are in place and functioning properly.

Nothing is out of reach of the new 5240E Skid Loader. Lift loads up to 122 inches with the new 5240E Skid Loader when equipped with optional 12.00 tires. With a powerful four-cylinder, 62-hp, Deutz Tier III water-cooled turbo-diesel engine, this machine will conquer any challenge on the jobsite.

- New 62-hp Deutz TD2009 Series water-cooled turbo-diesel Tier III engine supplies extra power when you need it, and provides smooth, quiet operation
- Lift height up to 120 inches with standard 10.00 tires, and up to 122 inches with optional 12.00 tires
- New high-capacity combination radiator and oil cooler for optimum cooling
- New larger rear door to accommodate the increased capacity radiator/oil cooler
- Remote engine oil filter is standard for ease of service
- High-flow auxiliary hydraulics option includes "soft-start" and detent features for smooth and controlled attachment operation

GEHL

COMPACT EQUIPMENT FOR BIG RESULTS™

gehl.com

143 Water Street
West Bend, WI 53095
U.S.A.

Tel: 262-334-9461
Fax: 262-338-7517